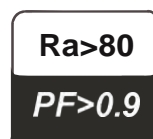




Spec of CCT & Wattage Selectable Full Cutoff Wall Pack



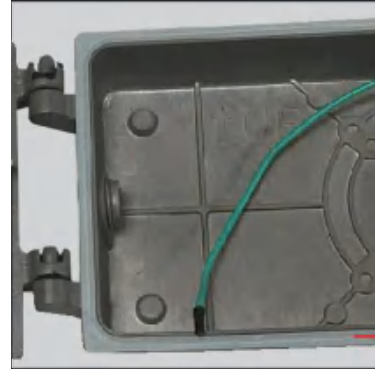


Provide BECKY and FOSEN drive options

Using an isolated, 1-10V dimmable.

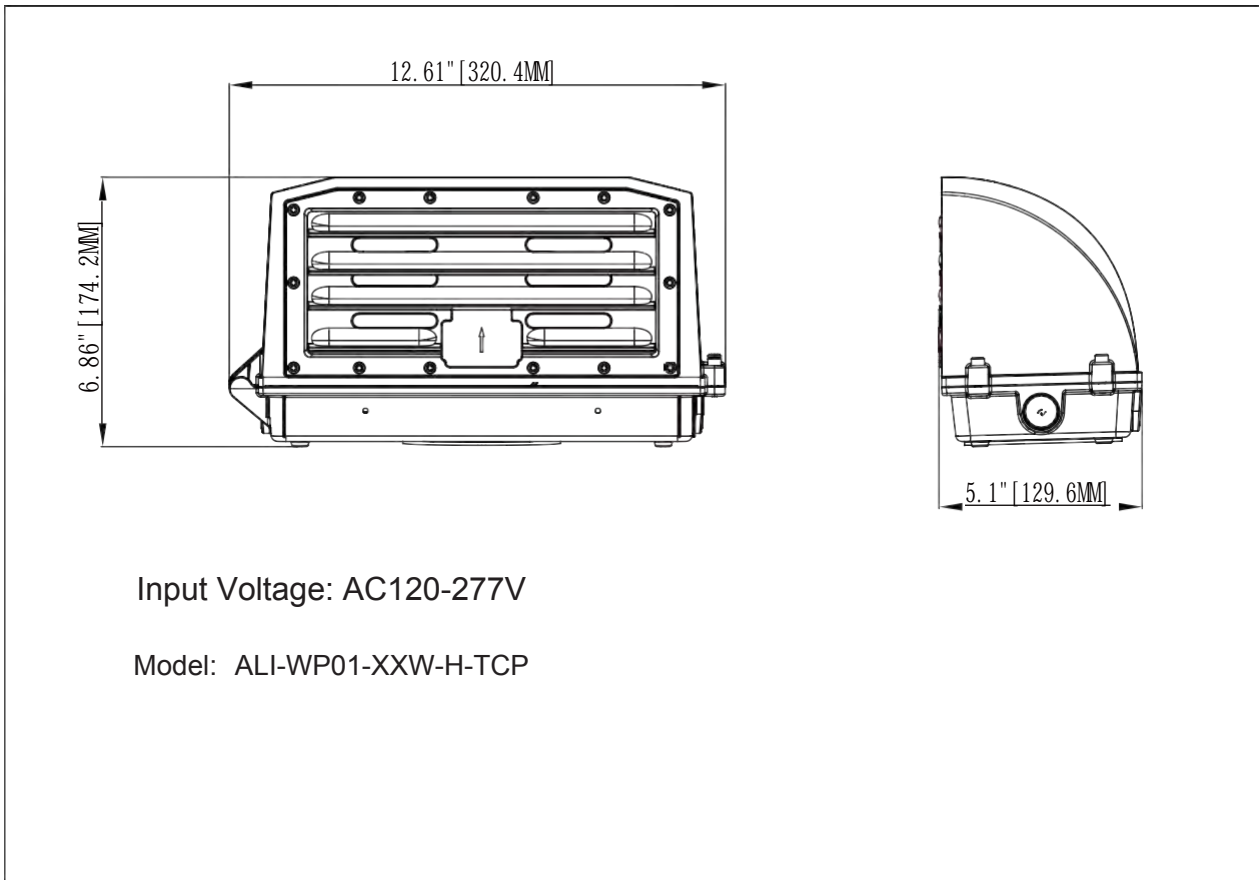
Protection level: Wet Location

The wall pack is sealed by silicone ring that can avoid dust completely and be waterproof, also the internal level ensures that the installation is horizontal.



silicone ring

Product Dimension



XXW represents wattage: 45W/60W/75W

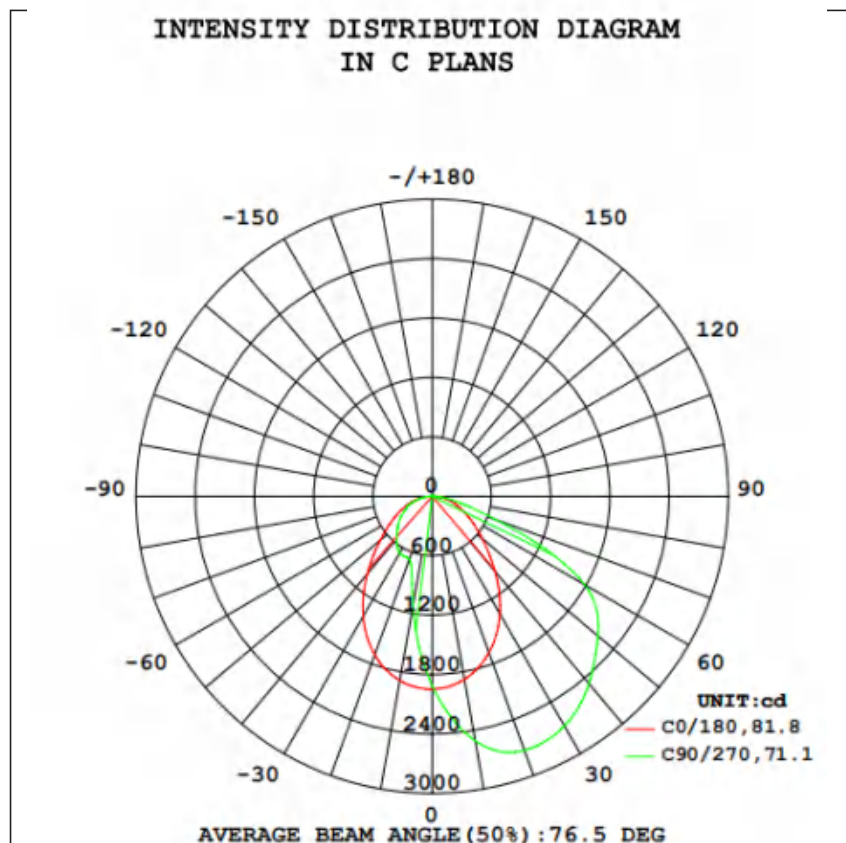
TCP represents the CCT:3000K, 4000K,5000K.



Lighting Parameters ■ ■ ■

Power	45W	60W	75W
Rate Current	0.412A	0.55A	0.687A
Working Voltage	AC120-277V		
Beam Angle	70°x80 °		
Color Temperature	3000K,4000K,5000K		
lamp's Luminous Efficiency	120lm/W		
Color Rendering Index	Ra > 80		
Operating Temperature	-40°F ~ +104°F		
Storage Temperature	-40°F ~ +158°F		
Environment Location	Wet Location		
Life-span	≥50000H		
Materials	ADC12		
LED Driver	A, BECKY / B, FOSEN		
Mounting	Bracket fixed		

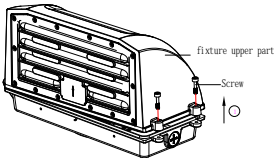
Optical Properties ■ ■ ■



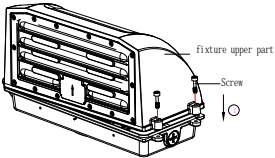


1. Instructions for CCT & Wattage Selectable 2nd Gen. Full cut-off Wall Pack (with Pre-built Photocell).

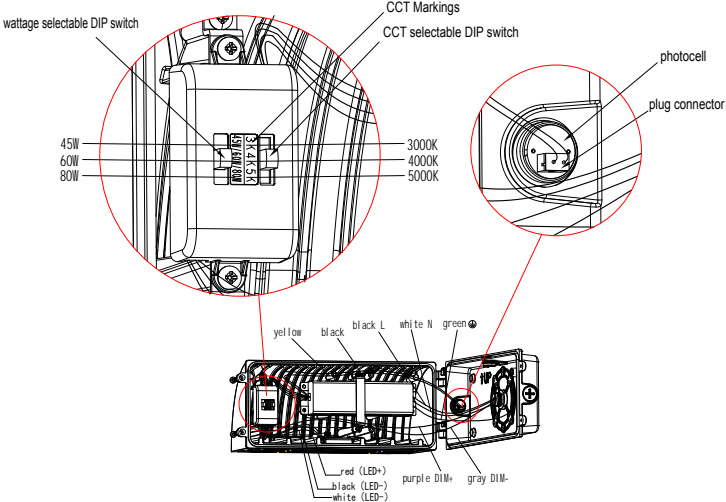
1. Unscrew with a screwdriver to remove the fixture upper part.



2. After selecting the CCT and wattage, lock the upper part by tightening screws into bottom case for the end.

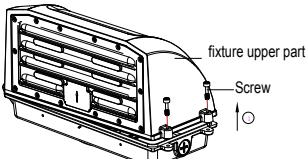


2. Open the bottom case, set up CCT and wattage through internal DIP switches according to the markings. the default CCT position (centre) is 4000K, dial up to 3000K, dial down to 5000K, dial centre to 4000K; The default wattage position (centre) is 60W, dial up to 45W, dial down to 80W, dial centre to 60W. Users can dial to positions of required CCT and wattage.

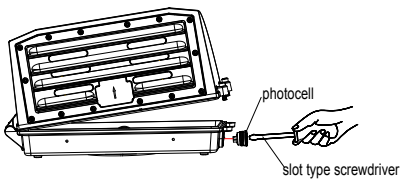


2. Instructions for CCT & Wattage Selectable 2nd Gen. Full cut-off Wall Pack (with DIY Photocell).

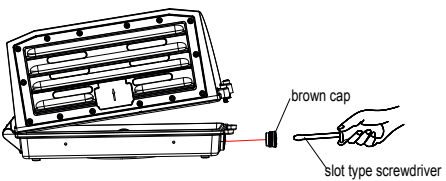
1. Unscrew with a screwdriver to remove the fixture upper part.



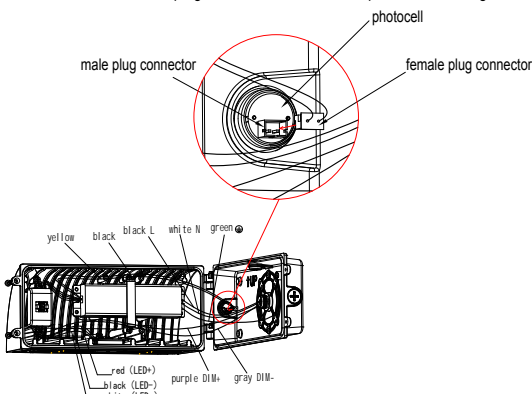
3. Screw transparent photocell into the side of base with a slot type screwdriver.



2. Unscrew the brown cap in the side of base with a slot type screwdriver.

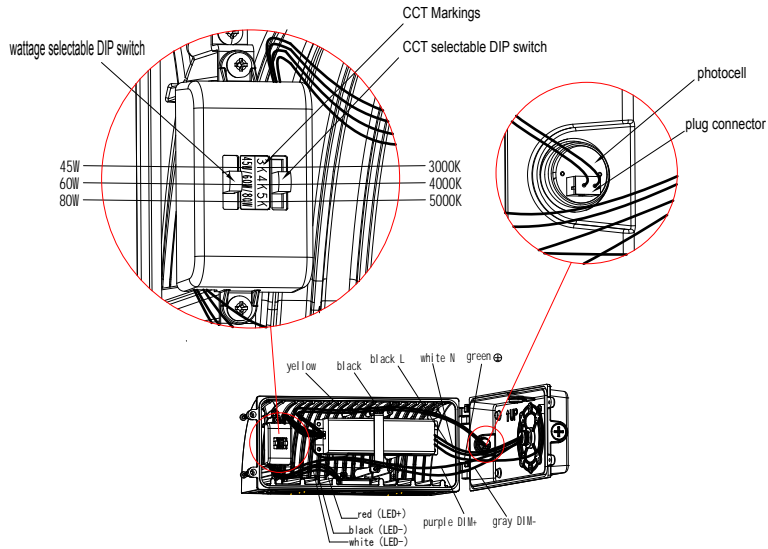


4. Open the bottom case; insert the male plug connector from driver to photocell's mating connector.

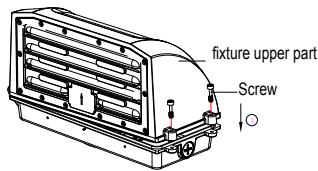




5. After connecting the light sensor, set the CCT and power value through the internal dial switch(internal DIP switches). According to the label, the default color temperature switch is 4000K, dial upward to 3000K, dial downward to 5000K, and dial to 4000K in the middle. The default power switch is 60W, dial upward to position 45W, dial downward to 80W, and dial to 60W in the middle; users can dial to the desired CCT and power value.



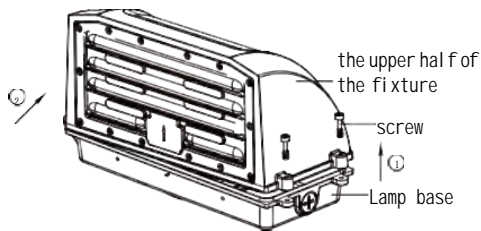
6. After selecting the CCT and wattage, lock the upper part by tightening screws into bottom case for the end.



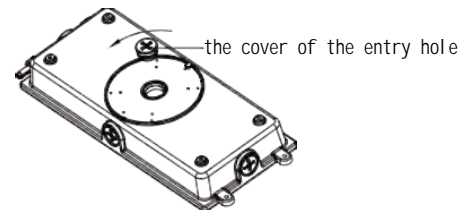
Installation Instruction



1. Use a screwdriver to unscrew the lamp screws and remove the upper half of the fixture.

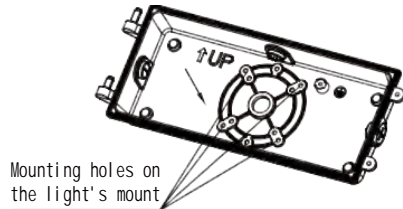


2. Unscrew the cover of the entry hole on the lamp base and remove the cover.

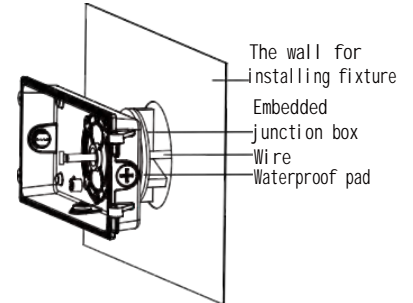




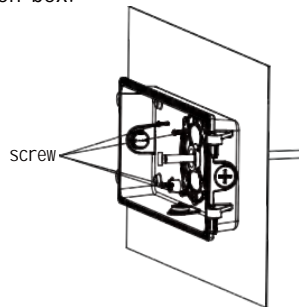
3. According to the embedded terminal box, punch the corresponding mounting hole on the light's mount.



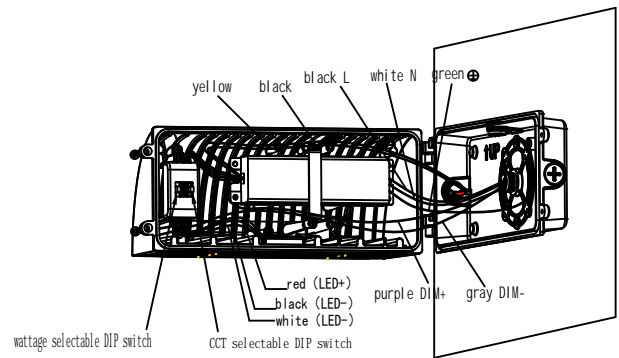
4. Put the input line in the embedded box passes through the waterproof pad and then passed through the lamp base.



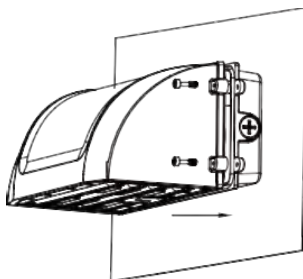
5. Use screw to lock the lamp base on the embedded junction box.



6. Connect the input wire and the dimming wire of the light, then put the connected wires into the embedded terminal box, adjust the switch to the color temperature and Wattage needed.



7. Use screws to lock the fixture. Installation completed.





Applications



Packing /weight

Model	Outer box (L*W*H)	Qty/Ctn (pcs)	N.W/Ctn (lbs/kg)	G.W/Ctn (lbs/kg)	Remarks
ALI-WP01-XXW-H-TCP	15.55" *14.6"*19.5" 395*370*495mm	4	21.43/9.72	27.20/12.34	0.15M cable

Safety Information

- 1、Using the standard working voltage: AC120~277V, 50/60Hz, do not exceed.
- 2、Be sure the power supply is turned off before installation.
- 3、Switch off power of the mains supply or the connection lead respectively before doing any works.
- 4、Please note waterproof, dustproof, electricity prevention and shockproof for the external power wires.
- 5、Directly fix bolts on the installation stem through the hole on the mounting bracket.
- 6、Be sure the connection between the wires is in good condition when install the lamps, beware of leakage.
- 7、Please read the specification carefully before installation.
- 8、The complete installation must be handled by an electrical expert

